

GAP-TYPE TUBE FILTER AND PROFLUID DN50

For the filtration of low and high-viscosity media

Krone
Filtertechnik



MADE IN GERMANY

... guarantees fast delivery 



Gap-type tube filter insert



Profluid filter insert

THE ADVANTAGES OF A KRONE GAP-TYPE FILTER

- easy to maintain
- long service life
- can be cleaned during operation
- works without filter aids, thereby eliminating any burden to the environment

When it comes to increasing the service life of machining or process fluids, Krone gap-type filters are a truly expert choice.

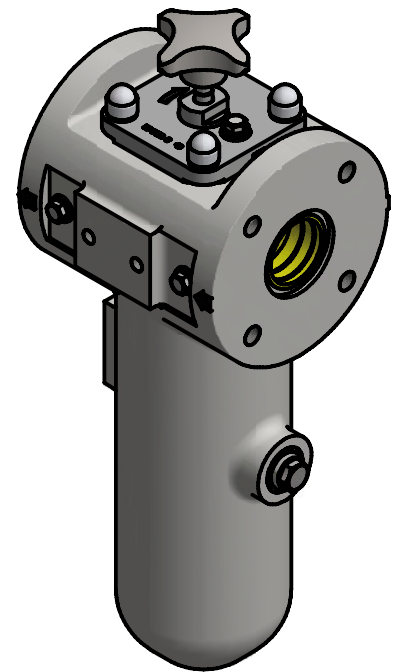
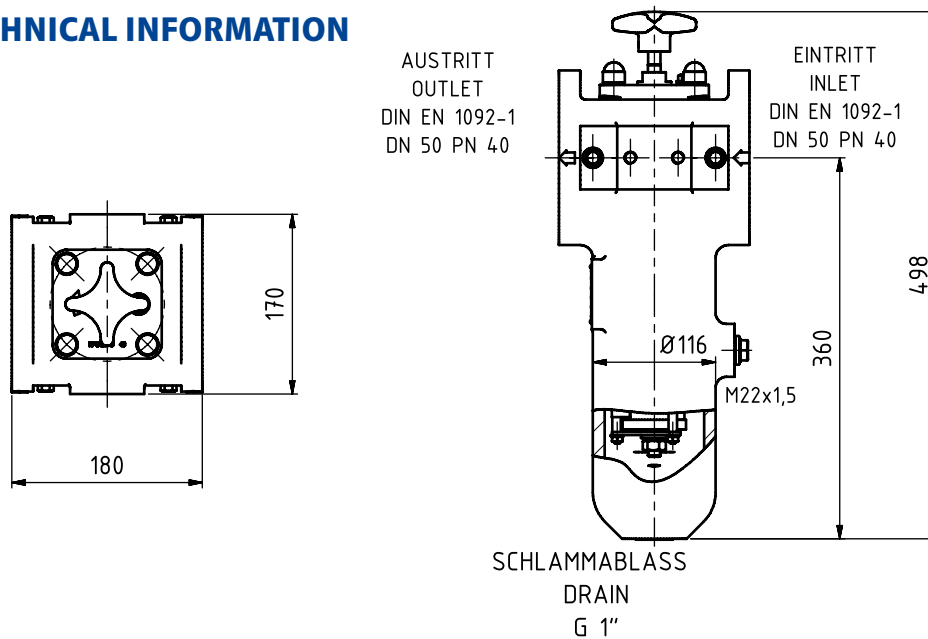


WWW.KRONE-FILTER.DE

HEAD OFFICE Krone Filtertechnik GmbH
Herbert-Ludwig-Str. 12-14 | 28832 Achim, Germany
Telephone: +49(0)4202.9769-0
E-mail: info@krone-filter.de

GAP-TYPE TUBE FILTER AND PROFLUID DN50

TECHNICAL INFORMATION



GAP-TYPE TUBE FILTER AND PROFLUID DN50

Size	524
Filter fineness (µm)	30 - 2000 (Profluid only 75/100/150)
Volume flow (m³/h) with gap width X = 0.05 mm (50 µm)	5.0 ¹⁾
Volume flow (m³/h) with gap width X = 0.10 mm (100 µm)	10.0 ¹⁾
Volume flow (m³/h) with gap width X = 0.20 mm (200 µm)	15.0 ¹⁾
Max. V (m/sec.), raw side	3.0
Max. operating pressure (bar)	40
Permissible differential pressure (bar)	6
Permissible operating temperature	-10 °C/200 °C ²⁾
Grading acc. to DGRL 2014/68/EU	Cat. II
Conformity process acc. to DGRL 2014/68/EU	A2
CE labelling acc. to DGRL	Yes
Backwash medium (with Profluid only)	Own medium
Backwash quantity (with Profluid only)	min 5% Q
Backwash line valve (with Profluid only)	M22 x 1.5 electr./magnet.

OPTIONS

Gear motor (ATEX optional)	230/400 V IP 55
Sludge drainage valve incl. E-drive	G1" electr./magnet.
Control system - optimised for gap-type filter	Siemens Logo T+P
Pressure differential evaluation unit + 2 measuring units	digital, max. 6 bar differential pressure

ORDER NO.	ARTICLE	HOUSING	FILTER HEAD	INT. PARTS
KF-545247X501	Gap-type tube filter DN50	GGG40	ST	Stainless steel
KF-545247X504	Gap-type tube filter DN50	ALU	ALU	Stainless steel
KF-545247X575	Gap-type tube filter DN50	V4A	V4A	Stainless steel
KF-545247X601	Profluid DN50	GGG40	ST	Stainless steel
KF-545247X604	Profluid DN50	ALU	ALU	Stainless steel
KF-545247X675	Profluid DN50	V4A	V4A	Stainless steel

¹⁾ The flow specifications apply to fluids with a viscosity of 72 mm²/s (cSt) in cases where there is a flow resistance level (delta p) of 0.2–0.4 bar. This data is applicable for a max. pollution of the medium amounting to 0.5%.

²⁾ only GGG40 or V4A housing; in the case of ALU housing, the permissible operating temperature is -10 °C/120 °C