

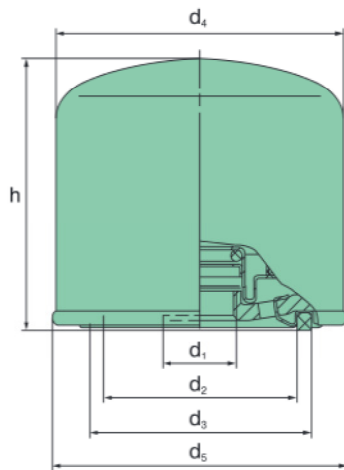
MANN+HUMMEL StarBox

High quality air/oil separators are crucial for process reliability and energy efficiency in compressors. The StarBox from MANN+HUMMEL sets new standards for both criteria in the separation of oil from compressed air. The new generation with more performance in the same installation space offers greater energy efficiency and process reliability. This has been made possible through a new high performance medium specially developed for compressors. As a result the StarBox, in comparison to conventional air/oil separator

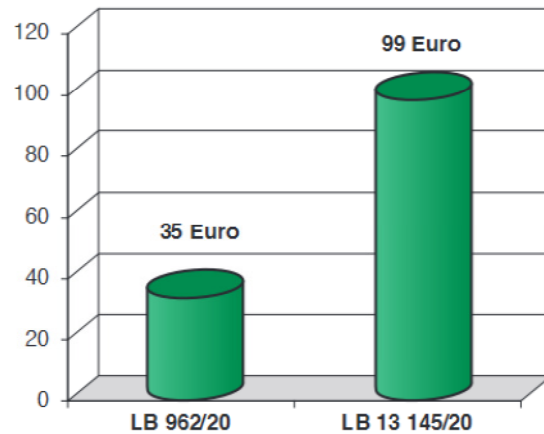
boxes, performs better in the critical areas of residual oil content and differential pressure.

Advantages at a glance:

- up to 99 Euro energy saving per filter through lower differential pressure
- residual oil content of 1-3 ppm
- up to 25% longer service life in comparison to conventional air/oil separator boxes
- longer service life of the fine filters installed downstream



Energy saving per filter *



* Calculation based on a filter service life of 3,000 operating hours and power costs of 0.12 Euro per kWh, in comparison with a conventional air/oil separator box.

MANN-FILTER	Compatible to	Nominal flow rate [m³/min] [cfm]	Dimensions in mm [dimensions in inches]						max. working pressure	
			d ₁	d ₂	d ₃	d ₄	d ₅	h	[bar]	[MPa]
LB 962/20	LB 962/2	2.2 [77.69]	M 24x1.5	62 [2.44]	71 [2.80]	93 [3.66]	96 [3.78]	212 [8.35]	20	2.0
LB 13 145/20	LB 13 145/3	6.0 [211.89]	M 39x1.5	100 [3.94]	111 [4.37]	136 [5.35]	140 [5.51]	302 [11.89]	20	2.0