

KFT[®] PLATE GAP-TYPE FILTER G1", 1/2", 3/4" AND M22X1.5

For the filtration of low and high-viscosity media

Krone
Filtertechnik



MADE IN GERMANY

... guarantees fast delivery 

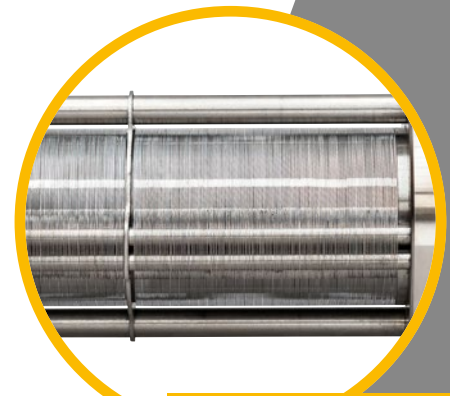
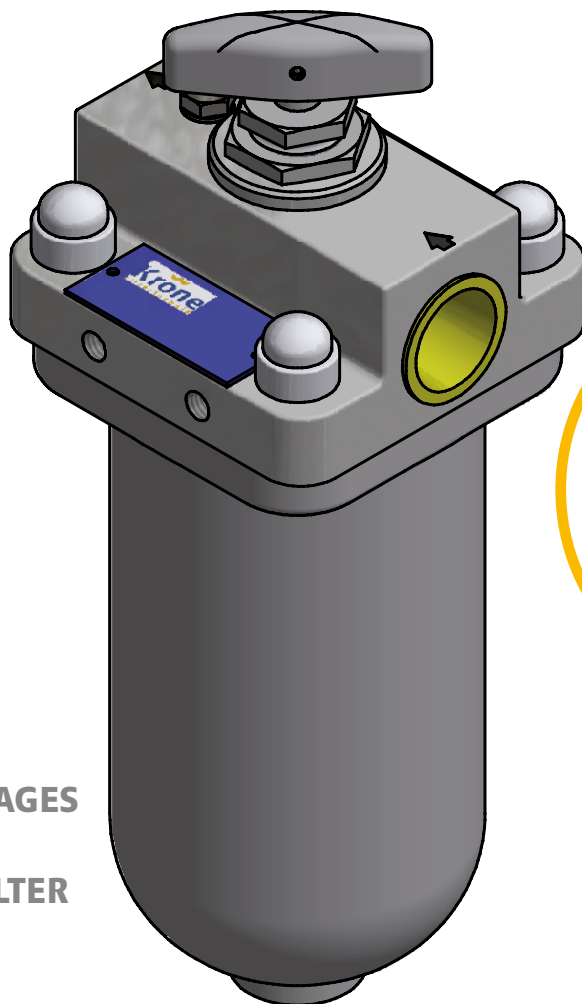


Plate gap-type filter insert



Filter head

THE ADVANTAGES OF A KFT[®] GAP-TYPE FILTER

- easy to maintain
- long service life
- can be cleaned during operation
- works without filter aids, thereby eliminating any burden to the environment

When it comes to increasing the service life of machining or process fluids, KFT[®] gap-type filters are a truly expert choice.

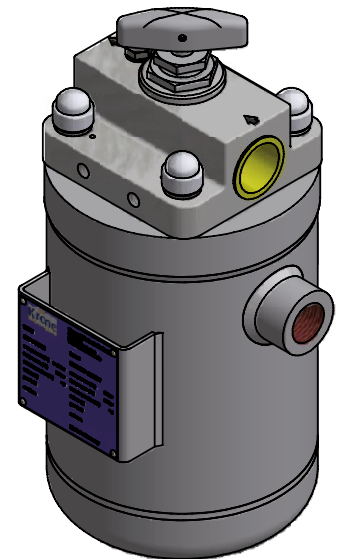
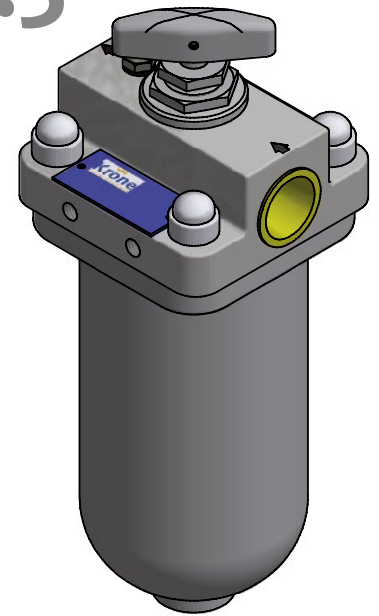
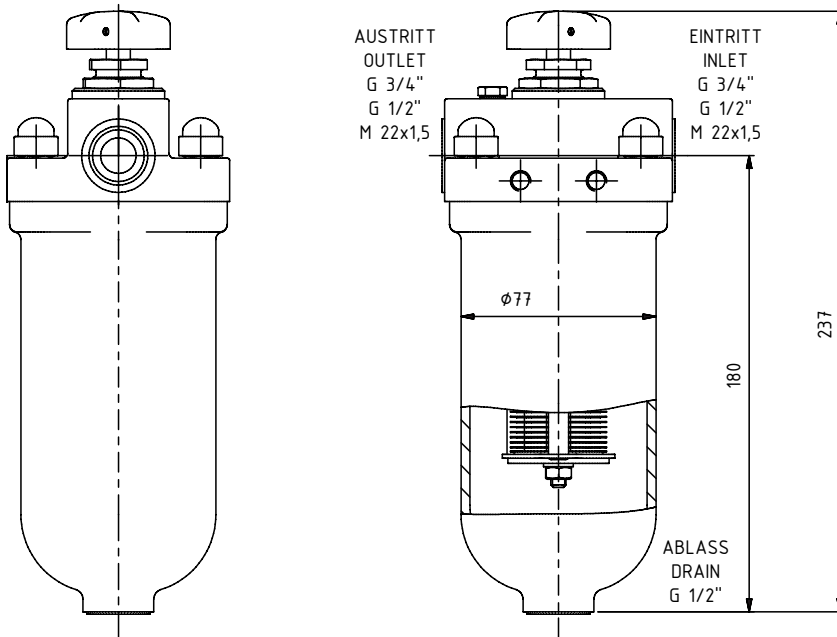


WWW.KRONE-FILTER.DE

HEAD OFFICE Krone Filtertechnik GmbH
Herbert-Ludwig-Str. 12-14 | 28832 Achim, Germany
Telephone: +49(0)4202.9769-0
E-mail: info@krone-filter.de

KFT® PLATE GAP-TYPE FILTER G1", 1/2", 3/4" AND M22X1.5

TECHNICAL INFORMATION



KFT® PLATE GAP-TYPE FILTER G1", 1/2", 3/4" AND M22X1.5

Size	310
Filter fineness (μm)	100/200/400
Volume flow (m^3/h) with gap width $X = 0.10 \text{ mm}$ ($100 \mu\text{m}$)	2.6 ¹⁾
Volume flow (m^3/h) with gap width $X = 0.20 \text{ mm}$ ($200 \mu\text{m}$)	3.5 (4.5 bei 1/2" bzw. 3/4") ¹⁾
Max. V (m/sec., raw side)	1.0
Max. operating pressure (bar)	40
Permissible differential pressure (bar)	6
Permissible operating temperature	-10 °C/200 °C
Grading acc. to DGRL 2014/68/EU	Art. 4 para. 3
Conformity process acc. to DGRL 2014/68/EU	none
CE labelling acc. to DGRL	No

HEATING JACKET

Max. operating pressure (bar)	10
min./max. operating temperature	-10 °C/100 °C
Volumes (l)	0.2
Material	Steel (powder-coated on the outside)
Connections	according to customer requirements

**ALSO AVAILABLE
AS A VARIATION WITH
HEATING JACKET/DOUBLE JACKET**

ORDER NO.	ARTICLE	HOUSING	FILTER HEAD	INT. PARTS
KF-513106x091	KFT®Plate gap-type filter G1"	GGG40	Steel	Stainless steel/Steel
KF-513106x051	KFT®Plate gap-type filter 1/2"	GGG40	Steel	Stainless steel/Steel
KF-513106x071	KFT®Plate gap-type filter 3/4"	GGG40	Steel	Stainless steel/Steel
KF-513106x041	KFT®Plate gap-type filter M22x1,5	GGG40	Steel	Stainless steel/Steel

¹⁾ The flow specifications apply to fluids with a viscosity of 72 mm²/s (cSt) in cases where there is a flow resistance level (Δp) of 0.2–0.4 bar. The specified flow figures may be exceeded in cases where less dirt accumulates and the flow resistance is permitted to be higher.