



WWW.VACUUMFILTER.EU

**KFT®
VACUUM FILTER
HOUSINGS
IN STAINLESS
STEEL (V4A)**



WWW.KRONE-FILTER.DE

MADE IN GERMANY

... guarantees fast delivery 


Krone
Filtertechnik

RELIABLE PROTECTION FOR MACHINE AND ENVIRONMENT

The company that began in 1990 as a representative of MANN+HUMMEL has now developed into a leading provider of comprehensive filter technology and services. Our core area, the sale of industrial filters, was expanded in 1993 by adding a full range of exhaust after-treatment products as well as trading and assembly services for catalytic converters, soot particle filters and SCR systems. All this is rounded off by an optimised range of services provided by our fitters, ensuring individual customer support.

At our business premises in Achim near Bremen, as well as at 5 additional business locations, more than 25 dedicated employees work under the management of Rainer Krone to develop tailored solutions for meeting our customers' requirements. The industrial filters business unit has companies from virtually every industry among its customers. To ensure intensive customer care, our sales engineers and office staff are highly qualified and a competent contact person is always at your disposal.



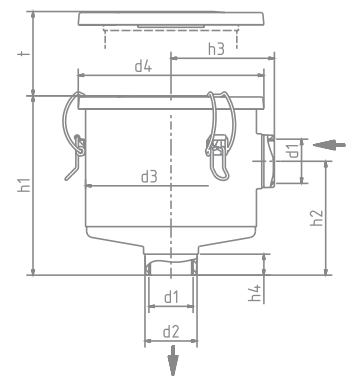
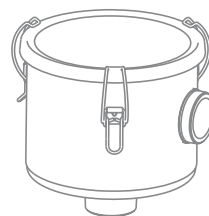
OUR VALUES:

„Enthusiasm and joy as well as team spirit and honesty are the basics of our success. Through respect, trust and reliability towards colleagues, customers and suppliers we achieve optimal results and satisfaction.“



HIGHLIGHTS OF KFT® VACUUM FILTERS

- V4A = suitable for use in food production
- reliable impermeability up to -950 mbar
- compact structure
- robust metal design
- various connections available
- excellent filtration performance
- outstanding value for money
- extremely short delivery times
- various filter elements of 3–60 µm; paper, polyester or VA



DIMENSIONS & ORDER NUMBERS

Item number	Nominal flow (m ³ /min)	Dimensions in mm (dimensions in inches)									Filter element	Weight (kg)
		d1	d2	d3	d4	h1	h2	h3	h4	t		
KF-45009G034-V4A	0.7	G ¾"	35 (1.38)	90 (3.54)	100 (3.94)	86 (3.39)	45 (1.77)	59 (2.32)	2.3 (0.09)	80 (3.15)	KF-0075-PV-VA KF-0075-VA-30 KF-0075-VA-60	0.5
KF-45021G114-V4A	1.6	G 1¼"	50 (1.97)	125 (4.92)	135 (5.31)	116 (4.57)	68 (2.68)	81 (3.19)	19 (0.75)	85 (3.35)	KF-1112-PV-VA KF-1112-VA-30 KF-1112-VA-60	1.0
KF-45037G114-V4A	1.8	G 1¼"	50 (1.97)	162 (6.38)	176 (6.93)	170 (6.69)	108 (4.25)	98 (3.86)	20 (0.79)	140 (5.51)	KF-1337-PV-VA KF-1337-VA-30 KF-1337-VA-60	1.9
KF-45124G200-V4A	6.0	G 2"	84.5 (3.33)	193 (7.6)	203 (7.8)	246 (9.69)	129 (5.08)	123 (4.84)	6.5 (0.26)	240 (9.45)	KF-15124-PV-VA KF-15124-VA-30 KF-15124-VA-60	3.2
KF-45124G212-V4A	6.0	G 2½"	84.5 (3.33)	193 (7.6)	203 (7.8)	246 (9.69)	129 (5.08)	123 (4.84)	6.5 (0.26)	240 (9.45)	KF-15124-PV-VA KF-15124-VA-30 KF-15124-VA-60	3.2
KF-45138G400-V4A	12.0	G 4"	123 (4.84)	268 (10.55)	272 (10.71)	263 (10.35)	147 (5.79)	197 (7.76)	74 (2.91)	165 (6.5)	KF-21138-PV-VA KF-21138-VA-30 KF-21138-VA-60	12.5

CONTACT

Krone Filtertechnik GmbH
Herbert-Ludwig-Str. 12-14
28832 Achim, Germany
Telephone: +49(0)4202.9769-0
Fax: +49(0)4202.9769-11
Internet: www.krone-filter.de
E-mail: info@krone-filter.de

KFT® vacuum filter advice:

Domínik Stoick
Telephone: +49(0)4202.9769-141
E-mail: stoick@krone-filter.de

Marius Krone
Telephone: +49(0)4202.9769-124
E-mail: mkrone@krone-filter.de

