



[WWW.OIL-MIST-DISCHARGE-FILTER.COM](http://WWW.OIL-MIST-DISCHARGE-FILTER.COM)

# KFT<sup>®</sup> OIL MIST DISCHARGE AIR FILTER

FOR VAKUUM PUMPS



[WWW.KRONE-FILTER.DE](http://WWW.KRONE-FILTER.DE)

**MADE IN GERMANY**

... guarantees fast delivery 

  
**Krone**  
Filtertechnik

# RELIABLE PROTECTION FOR MACHINE AND ENVIRONMENT

The company that began in 1990 as a representative of MANN+HUMMEL has now developed into a leading provider of comprehensive filter technology and services. Our core area, the sale of industrial filters, was expanded in 1993 by adding a full range of exhaust after-treatment products as well as trading and assembly services for catalytic converters, soot particle filters and SCR systems. All this is rounded off by an optimised range of services provided by our fitters, ensuring individual customer support.

At our business premises in Achim near Bremen, as well as at 5 additional business locations, more than 25 dedicated employees work under the management of Rainer Krone to develop tailored solutions for meeting our customers' requirements. The industrial filters business unit has companies from virtually every industry among its customers. To ensure intensive customer care, our sales engineers and office staff are highly qualified and a competent contact person is always at your disposal.



## OUR VALUES:

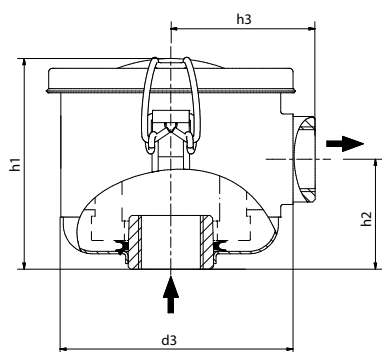
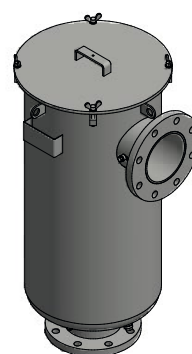
„Enthusiasm and joy as well as team spirit and honesty are the basics of our success. Through respect, trust and reliability towards colleagues, customers and suppliers we achieve optimal results and satisfaction.“



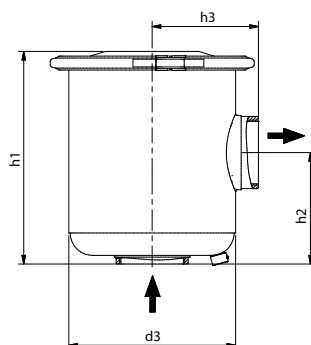
KFT® oil mist discharge air filters clean the exhaust air from oil-lubricated vacuum pumps and the separated oil can be returned to the oil circuit.

KFT® oil mist discharge air filters have an efficiency of 99.97% at 0.3 micron, so that this air easily can be returned to the circulating air.

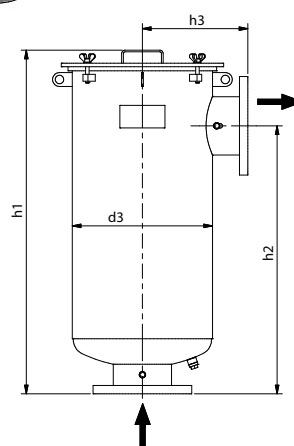
For use on vacuum pumps, KFT® oil mist discharge air filters can be used for volume flows up to 32 m<sup>3</sup>/min, at max. 370 millibar.



PIC. 1



PIC. 2



PIC. 3

## DIMENSIONS & ORDER NUMBERS

ITEM NUMBER	PIC.	M <sup>3</sup> /H	CONNECTION	D3	H1	H2	H3	ELEMENT
KF-0040G034-ST-OM	1	40	G ¾"	96	93	42	68	KF-LE0040
KF-0040G034-VA-OM	1	40	G ¾"	90	86	45	59	KF-LE0040
KF-0100G114-ST-OM	2	100	G 1 ¼"	162	170	108	98	KF-LE0100
KF-0100G114-VA-OM	2	100	G 1 ¼"	162	170	108	98	KF-LE0100
KF-0360G200-ST-OM	2	360	G 2"	193	246	129	123	KF-LE0360
KF-0360G200-VA-OM	2	360	G 2"	193	246	129	123	KF-LE0360
KF-0360G212-ST-OM	2	360	G 2 ½"	193	246	129	123	KF-LE0360
KF-0360G212-VA-OM	2	360	G 2 ½"	193	246	129	123	KF-LE0360
KF-0850-DN100-ST-OM	3	850	DN 100	306	791	572	229	KF-LE0850
KF-1900-DN150-ST-OM	3	1,900	DN 150	406	994	775	305	KF-LE1900

## CONTACT

Krone Filtertechnik GmbH  
Herbert-Ludwig-Str. 12-14  
28832 Achim, Germany  
Telephone: +49(0)4202.9769-0  
Fax: +49(0)4202.9769-11  
Internet: [www.krone-filter.de](http://www.krone-filter.de)  
E-mail: [info@krone-filter.de](mailto:info@krone-filter.de)

KFT® oil mist discharge air filter advice:

Domínik Stoick  
Telephone: +49(0)4202.9769-141  
E-mail: [stoick@krone-filter.de](mailto:stoick@krone-filter.de)

Marius Krone  
Telephone: +49(0)4202.9769-124  
E-mail: [mkrone@krone-filter.de](mailto:mkrone@krone-filter.de)

