



WWW.KRONE-FILTER.DE

KFT® OIL BATH AIR FILTER

THE SINGLE-STAGE FILTER
WITH PROVEN DURABILITY



MADE IN GERMANY

... guarantees fast delivery 

Krone
Filtertechnik



Krone Filtertechnik – A leader in industrial filtration

RELIABLE PROTECTION FOR MACHINERY AND THE ENVIRONMENT

The company that began in 1990 as a representative of MANN+HUMMEL has now developed into a leading provider of comprehensive filter technology and services. Our core area, the sale of industrial filters, was expanded in 1993 by adding a full range of exhaust after-treatment products as well as trading and assembly services for catalytic converters, soot particle filters and SCR systems. All this is rounded off by an optimised range of services provided by our fitters, ensuring individual customer support.

At our business premises in Achim near Bremen, as well as at 5 additional business locations, more than 25 committed employees work under the management of Rainer Krone on developing tailored solutions, in order to meet our customers' requirements. The industrial filters business unit has companies from virtually every industry among its customers. To ensure intensive customer care, our sales engineers and office staff are highly qualified, and a competent contact person is always at your disposal.



Company development through intellectual capital certified by



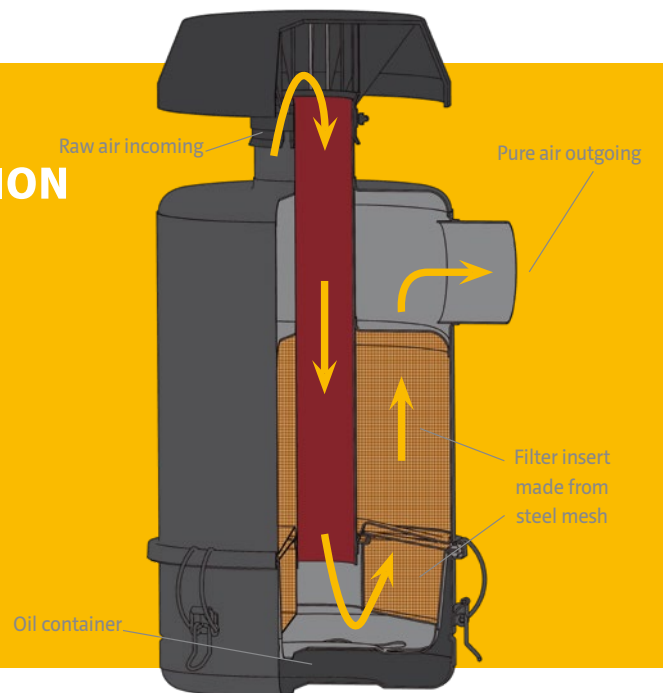
OUR VALUES:

"Enthusiasm and joy as well as team spirit and honesty are the basics of our success. Through respect, trust and reliability towards colleagues, customers and suppliers we achieve optimal results and satisfaction."

KFT® OIL BATH AIR FILTER – DESIGN AND MODE OF OPERATION

The air sucked in by the motor initially impacts vertically upon an oil bath and is redirected there. The dust particles cannot follow this sharp redirection and reach the oil bath where they are instantly captured. At the same time the oil droplets are carried away to the filter insert by the flow of air. This thus becomes a wet filter and retains even the finest particles of dust. When the motor stops, the oil drops back again from the steel mesh into the oil container. In the process the dust is washed out of the filter insert and stored in the oil bath.

Thanks to this functional principle our KFT® oil bath filters achieve a maximum separation efficiency of approx. 98.5%.



AREAS OF APPLICATION

KFT® oil bath air filters are particularly well suited for machines and vehicles deployed in low to medium level dust conditions and have formed a constant part of our filter range for decades. The sucked-in air is dedusted on a preliminary basis in an oil bath and afterwards filtered by a steel mesh filter insert. This filter can be maintained very easily and without spare parts, using only existing motor oil and diesel fuel. For that reason the KFT® oil bath air filter is practically independent of a spare parts supply and can thus be used even in the most remote regions.

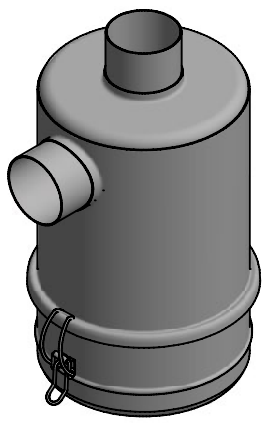


Fig.1

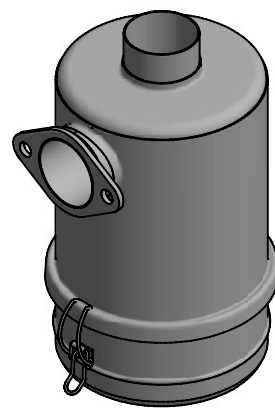
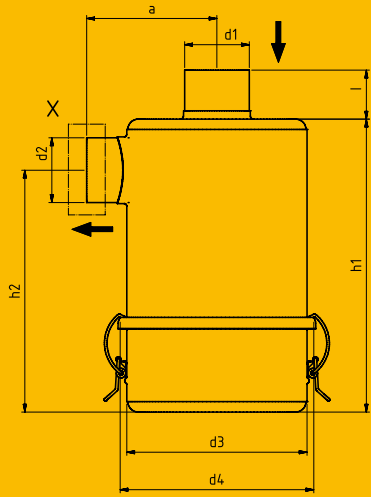


Fig.2

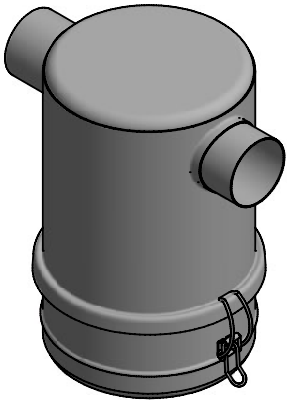
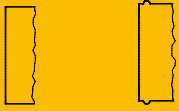
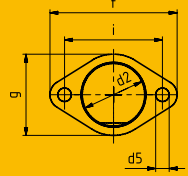
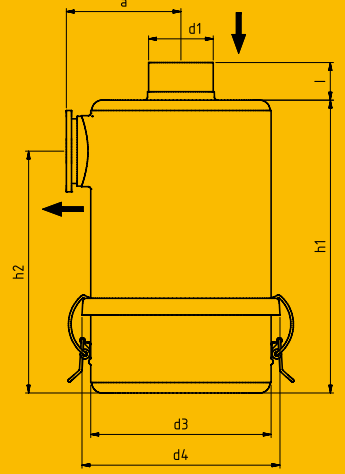


Fig.3

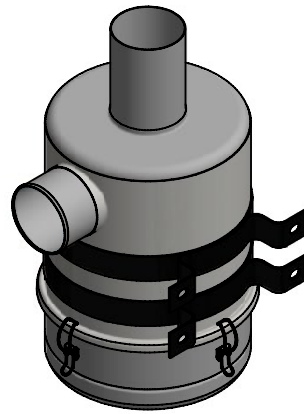
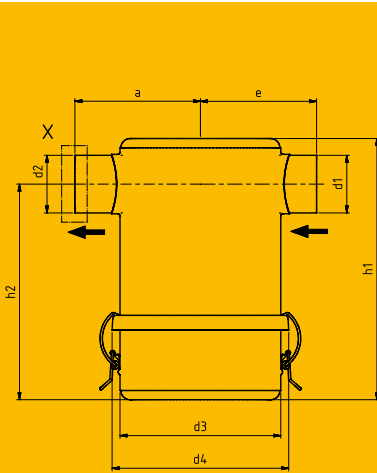


Fig.4

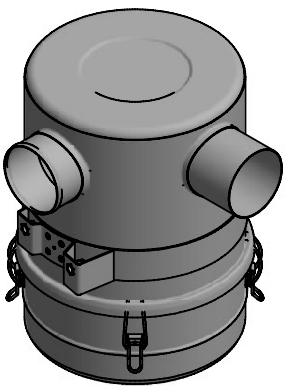
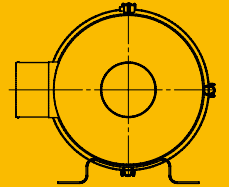
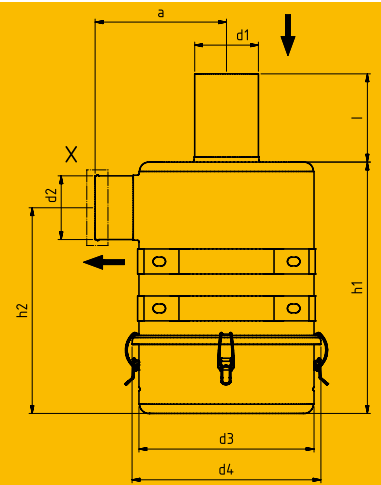
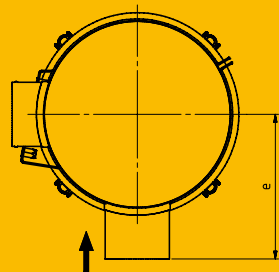
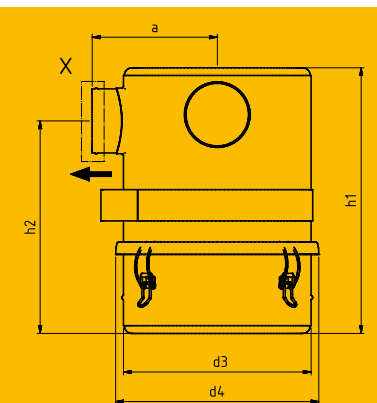


Fig.5



KRONE OIL BATH AIR FILTER

- » Replacement for the Mann+Hummel range
- » Guaranteed interchangeability with existing structures
- » The dimensions h1 and l are among the things that are different
- » Filter inserts and filter bowls 100% replaceable

All product drawings are also available as step files, as well as in other forms.

Deviations from the standard range can be offered with batches of at least 50 and up!

POSITIONING, FITTING AND MAINTENANCE

When determining size, ensure that the nominal flow of the filter comes as close as possible to the maximum air requirement of the motor but does not exceed it. If the filter is too large or its oil level is too low, its efficiency may be too low. A filter that is too small or too much oil in the container can lead to oil being sucked into the motor's intake stroke.

When using the KFT® oil bath air filter on compressors and motors with up to four cylinders (not supercharged), because of the flow pulsations that occur, corrections must be made in the filter setting via pulsation factors.

Please note that all of our KFT® oil bath air filters must be fitted vertically.

If the KFT® oil filter is set correctly, it loses no oil during operation. Maintenance of the filter should, at the latest, be carried out when the deposited dirt has reached half the height of the oil fill level or the oil has become viscous.

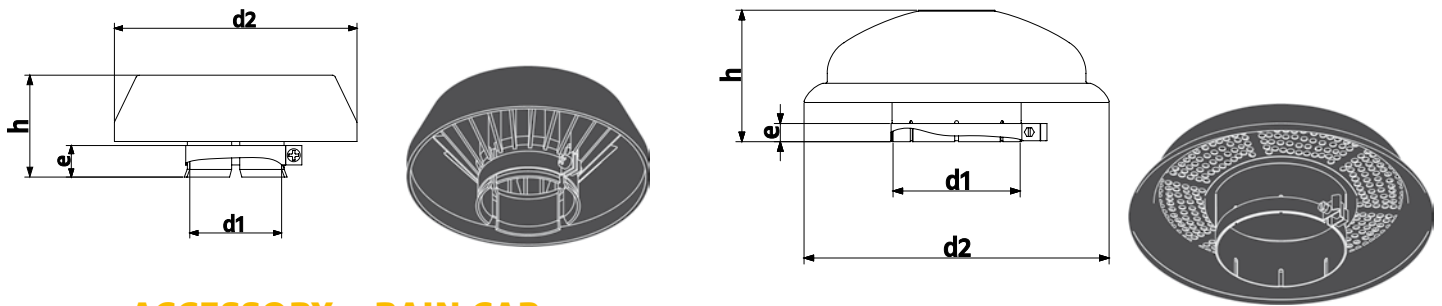
For this purpose the upper part will be removed and then the filter insert washed with, for example, diesel fuel or using a high pressure cleaner. The oil is poured off in the lower part, so that the sludge can then be cleaned and both disposed of in an environmentally-friendly way. Then the lower part will again be filled with fresh motor oil up to the level marking and the upper part placed back on.

DIMENSIONS AND ORDER NUMBERS

Original M+H dimensions shown in blue

Order no.	Q _{max} m ³ / min	Fig.	Dimensions (not marked in mm)								Oil (kg)	Oil (ltr.)
			a	d1	d2	d3	d4	h1	h2	l (e)		
KF-3102874023	2,8	2	110 / 4,33"	62 / 2,44"	62 / 2,44"	173 / 6,81"	190 / 7,48"	281 / 11,06"	232 / 9,13"	36 / 1,42"	3	0,75
KF-3102875023	2,8	1	125 / 4,92"	62 / 2,44"	62 / 2,44"	173 / 6,81"	190 / 7,48"	281 / 11,06" 267 / 10,51"	232 / 9,13"	47 / 1,85" 60 / 2,36"	3	0,75
KF3102875093	2,8	3	125 / 4,92"	62 / 2,44"	62 / 2,44"	173 / 6,81"	190 / 7,48"	281 / 11,06" 267 / 10,51"	232 / 9,13"	(135 / 5,31")	3	0,75
KF-3103474023	3,4	2	110 / 4,33"	62 / 2,44"	60 / 2,36"	173 / 6,81"	190 / 7,48"	307 / 12,09"	266 / 10,47"	60 / 2,36"	3,3	0,75
KF-3103474523	3,4	3	110 / 4,33"	62 / 2,44"	60 / 2,36"	173 / 6,81"	190 / 7,48"	307 / 12,09"	255 / 10,04"	(125 / 4,92")	3,3	0,75
KF-3103475023	3,4	1	125 / 4,92"	62 / 2,44"	62 / 2,44"	173 / 6,81"	190 / 7,48"	315 / 12,40" 302 / 11,89"	266 / 10,47"	47 / 1,85" 60 / 2,36"	3,3	0,75
KF-3104075023	4	1	140 / 5,51"	68 / 2,68"	70 / 2,76"	200 / 7,87"	220 / 8,66"	311 / 12,24" 297 / 11,69"	255 / 10,04"	61 / 2,40" 75 / 2,75"	3,7	1
KF-3104075093	4	3	140 / 5,51"	68 / 2,68"	70 / 2,76"	200 / 7,87"	220 / 8,66"	304 / 11,97"	255 / 10,04"	(155 / 6,10")	3,7	1
KF-3104572283	4,5	3	130 / 5,12"	68 / 2,68"	68 / 2,68"	200 / 7,87"	220 / 8,66"	341 / 13,42" 327 / 12,87"	285 / 11,22"	(140 / 5,51")	4,3	1
KF-3104575023	4,5	1	140 / 5,51"	68 / 2,68"	70 / 2,76"	200 / 7,87"	220 / 8,66"	341 / 13,42" 327 / 12,87"	285 / 11,22"	61 / 2,40" 75 / 2,75"	4,3	1
KF-3105675023	5,6	1	160 / 6,23"	82 / 3,23"	82 / 3,23"	240 / 9,45"	260 / 10,24"	331 / 13,03" 322 / 12,68"	276 / 10,87"	76 / 2,99" 85 / 3,35"	5,6	1,7
KF-3106875023	6,8	1	160 / 6,23"	82 / 3,23"	82 / 3,23"	240 / 9,45"	260 / 10,24"	371 / 14,60" 362 / 14,25"	316 / 12,44"	76 / 2,99" 85 / 3,35"	6,4	1,7
KF-3108075043	8	1	185 / 7,28"	102 / 4,02"	102 / 4,02"	280 / 11,02"	300 / 11,81"	376 / 14,80" 367 / 14,45"	303 / 11,96"	126 / 4,96" 135 / 5,31"	9	2,5
KF-3109675173*	9,6	4	210 / 8,27"	102 / 4,02"	102 / 4,02"	280 / 11,02"	300 / 11,81"	402 / 15,83" 393 / 15,47"	329 / 12,95"	141 / 5,55" 150 / 5,91"	11,2	2,5
KF-3110075043	10	1	210 / 8,27"	110 / 4,33"	110 / 4,33"	320 / 12,60"	344 / 13,54"	400 / 15,75" 395 / 15,55"	325 / 12,80"	135 / 5,31" 140 / 5,51"	10,7	3
KF-3112075043	12	1	210 / 8,27"	110 / 4,33"	110 / 4,33"	320 / 12,60"	344 / 13,54"	430 / 16,95" 425 / 16,73"	355 / 13,98"	105 / 4,13" 110 / 4,33"	11,2	3
KF-3116075043	16	1	260 / 10,24"	132 / 5,20"	132 / 5,20"	400 / 15,75"	422 / 16,61"	447 / 17,60" 445 / 17,52"	365 / 14,37"	163 / 6,42" 165 / 6,50"	20	5,5
KF-3119075043	19	1	260 / 10,24"	132 / 5,20"	132 / 5,20"	400 / 15,75"	422 / 16,61"	497 / 19,56" 490 / 19,28"	410 / 16,14"	113 / 4,45" 120 / 4,72"	22,5	5,5
KF-3124075043	24	1	260 / 10,24"	132 / 5,20"	132 / 5,20"	400 / 15,75"	422 / 16,61"	600 / 23,62" 598 / 23,54"	518 / 20,39"	115 / 5,23" 120 / 4,72"	25	5,5
KF-3205675143	5,6	5	160 / 6,23"	82 / 3,23"	82 / 3,23"	240 / 9,45"	260 / 10,24"	336 / 13,23"	272 / 10,71"	(185 / 7,28")	6,2	1,7

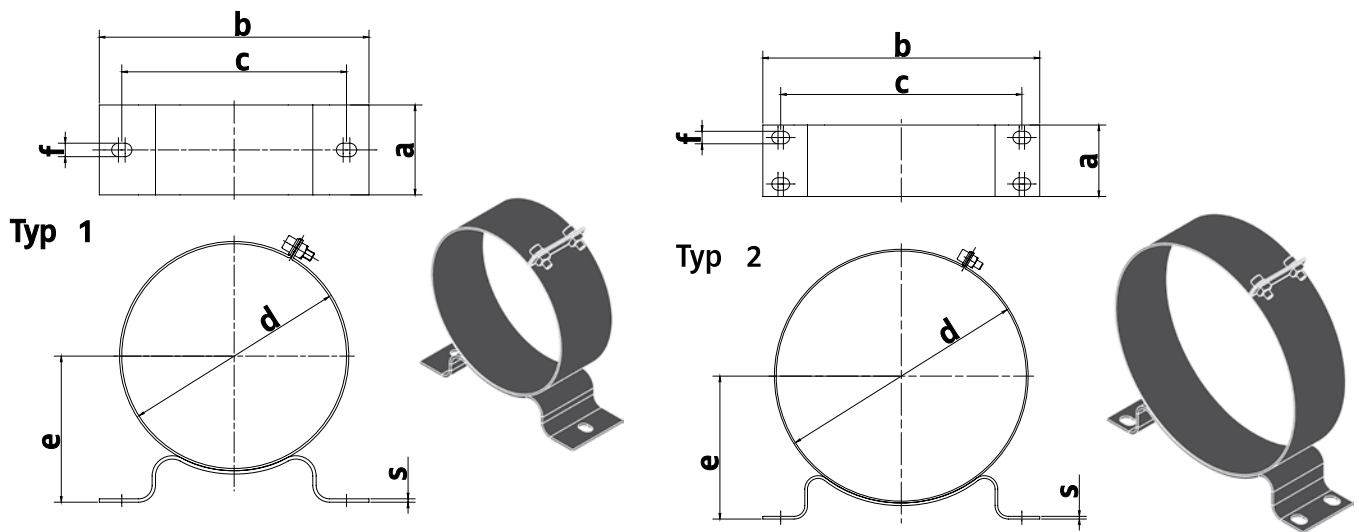
* including 2 Brackets



ACCESSORY – RAIN CAP

Oil bath air filter	Rain cap (Plastic)	Dimensions (in mm)				Weight (kg)
		d1	d2	e	h	
KF-3102875023 KF-3103475023	39 028 67 910	62,2	150	22	63	0,11
KF-3104075023 KF-3104575023	39 040 67 910	68,2	200	30	85	0,23
KF-3105675023 KF-3106875023	39 056 67 910	82,2	200	30	85	0,23
KF-3108075043 KF-3109675043	39 080 67 910	102,2	270	40	115	0,44
KF-3110075043 KF-3112075043	39 100 67 910	110,2	270	40	115	0,44
KF-3116075043 KF-3119075043 KF-3124075043	39 160 67 910 / KF-3916067020 ²	132,2	360 / 320 ²	50	150 / 138 ²	0,9 / 1,5 ²

²Metal design



ACCESSORY – BRACKET

Oil bath air filter	Bracket	Type	Dimensions (in mm)							Weight (kg)
			a	b	c	d	e	f	s	
KF-3102875023	KF-3902838981	1	60	220	180	173	110	12	3	0,8
KF-3103475023	KF-3902838981	1	60	220	180	173	110	12	3	0,8
KF-3104075023	KF-3904038981	1	80	240	200	200	130	12	3	1,4
KF-3104575023	KF-3904038981	1	80	240	200	200	130	12	3	1,4
KF-3105675023	KF-3905638980	1	80	280	240	240	130	14	3	1,5
KF-3106875023	KF-3905638980	1	80	280	240	240	130	14	3	1,5
KF-3108075043	KF-3908038991	2	80	310	270	280	160	14	3	1,7
KF-3109675043	KF-3908038991	2	80	310	270	280	160	14	3	1,7
KF-3110075043	KF-3910038991	2	80	310	270	320	185	14	3	1,9
KF-3112075043	KF-3910038991	2	80	310	270	320	185	14	3	1,9
KF-3116075043	KF-3916038991	2	80	310	270	400	225	14	3	2,2
KF-3119075043	KF-3916038991	2	80	310	270	400	225	14	3	2,2
KF-3124075043	KF-3916038991	2	80	310	270	400	225	14	3	2,2

CONTACT

Krone Filtertechnik GmbH
Herbert-Ludwig-Str. 12-14
28832 Achim, Germany
Telephone: +49(0)4202.9769-0
Fax: +49(0)4202.9769-11
Internet: www.krone-filter.de
E-mail: info@krone-filter.de

KFT®oil bath air filter advice:

Dominik Stoick
Telephone: +49(0)4202.9769-141
E-mail: stoick@krone-filter.de

Marius Krone
Telephone: +49(0)4202.9769-124
E-mail: mkrone@krone-filter.de

